

www.drakecorp.com

D-130 by drake

Kids' **Table**

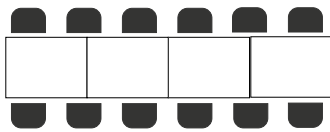
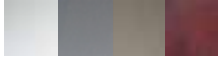
kids' TABLES
and **Leg Systems**



Made in
**USA &
Italy**

- extra strong
- easy handling
- easy maintenance





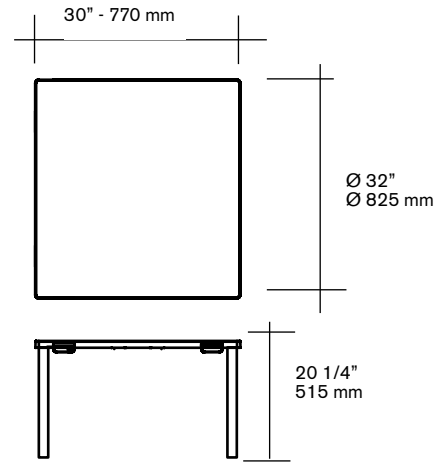
4-DSN Kid TABLEs

Four Plastic legs screw into the easy to maintain, **30"x32"** composite resin table top. **No tools required.**

Our composite polymer rectangular linking table top is available in white, tan, gray, redwood.

...very modular

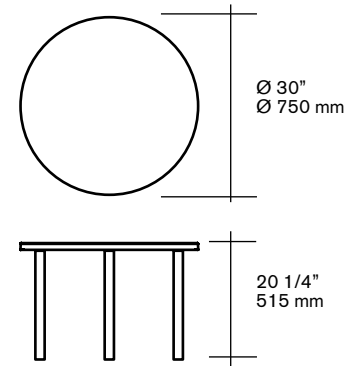
tongue and groove style, slides in and out of the table top & lets users **add** as many **tables** as needed to **morph the classroom** layout... while keeping the table tops level. Modules can be added in different directions to compose straight lines, corners, T-shapes etc.



ROUND 30"Ø Kid TABLEs

The Plastic legs screw into the easy to maintain, **30"** round composite resin table top. **No tools required.**

Our composite polymer rectangular linking table top will be available in white, tan, gray, redwood. *****Coming soon.**



D130 Series TABLE LEG SYSTEMS

D130 Series Leg Concept is an extremely versatile, easy maintenance, easy to assemble and disassemble system for kids table tops.



Made in Italy

Standard Leg

- resin plate
- Ø 2 1/3" resin tubular leg (Max Length 27 1/2")
- resin end cap
- Max. table height: 28"

Optional

- 3 1/8" leg extension
- 1/2" - 2 1/2" adjustable end cap

