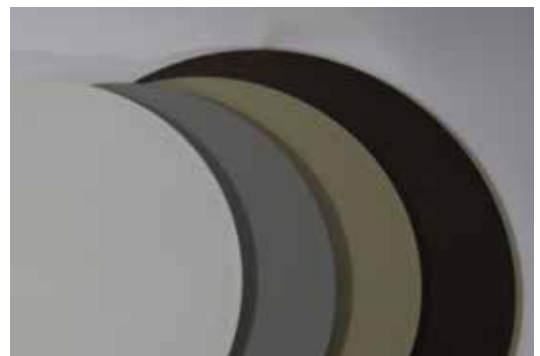




TECHNOPOLYMER replacement table tops by drake

EASY MAINTENANCE
table tops for K-plate systems
with 1 3/4" columns
or ANY restaurant table leg...



Our composite polymer table tops are available in white, gray, beige, redwood.

Applications:
CATERING - RENTAL - CONFERENCE & CONVENTION CENTERS - RESTAURANT

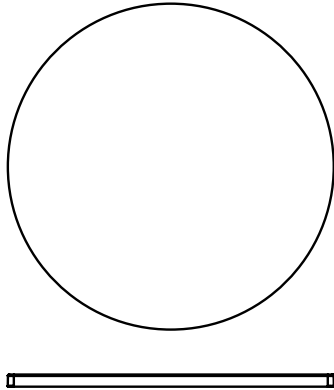
Developed to replace old wood table tops with K-plate systems for most demanding rental and catering applications... they can be used with **most existing monoleg systems** on the market to replace any wood table top, in restaurant, cafes, bars.

**Made
in
USA**

- extra strong
- extra light weight
- extra UV resistant
- highly scratch resistant
- easy handling
- easy maintenance

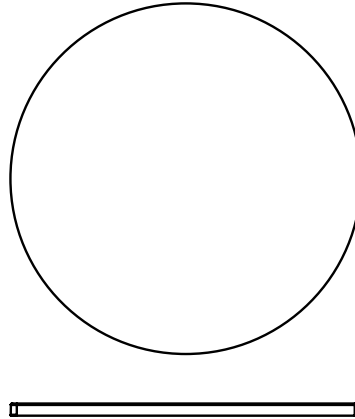


round 24" table top



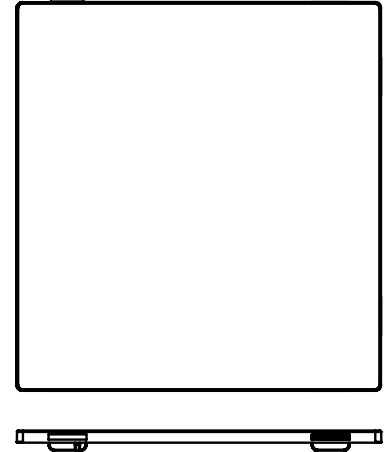
Ø24 in. nominal [600mm]
 actual Ø24 1/4 in. [616 mm]
 crown thick. 3/4 in. [20 mm]
 inner thick. 1/2 in. [13 mm]
 net weight: 7.5 lb. [3.40 kg]
 material:
 technopolymer reinforced with FG

round 28" table top



Ø28 in. nominal [700mm]
 actual Ø28 3/8 in. [720 mm]
 crown thick. 3/4 in. [20 mm]
 inner thick. 1/2 in. [13 mm]
 net weight: 12 lb. [5.45 kg]
 material:
 technopolymer reinforced with FG

MODULAR 30"x32" table top



30"x32"
 actual 30 3/8 x 32 1/2 in.
 crown thick. 1 in. [25 mm]
 @ sliders thick. 1 1/2 in. [38 mm]
 net weight: 15 lb. [6.80 kg]
 material:
 technopolymer reinforced with FG



- **connectivity** for restaurant or banquet halls... when monoleg tables are joined together to accommodate large parties, the alignment is very often impossible, table tops have steps and/or slightly different inclinations resulting in visually unpleasant and quite uncomfortable junctions. With *our slide in-slide out tongue and groove system*, tables can be added in any direction and they remain seamlessly joined. **Your customers will love it... You will love it**
- **all weather UV resistant** our table tops can be used *INDOOR & OUTDOOR*
- **super strong and highly resistant to scratches** the fiber glass filled technopolymer has a natural scratch resistance predisposition paired with strength, impact resistance and rigidity unparalleled by other materials. Metallic inserts can be inserted into the top to increase performances in the coupling table top-leg system of your choice.

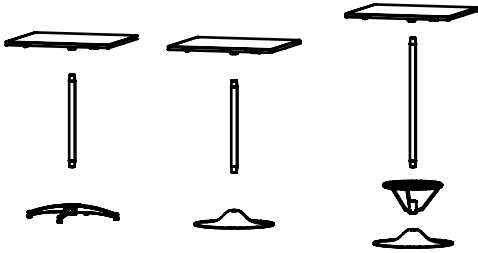


**Made
in
USA**

DSN tables by drake

Drake is proud to introduce
"Dolce Stil Novo"
the most revolutionary vision of an easy to handle, store and deploy portable banquet table system, aimed to replace folding tables of different lengths, adding bar tables & stools to the mix as well.

The world of banquet tables will never be the same...



“Dolce Stil Novo” modular *linking* banquet table systems *...life is sweet!*



Dolce Stil Novo (Italian for “*sweet new style*”) is the name given to the most important literary movement of the 13th century in Italy. It marked a true revolution in dignifying the use of Tuscan vernacular in exquisite literary works making them accessible to the masses.

Before the *Dolce Stil Novo*, all literature and higher education was in Latin. Latin, an exclusive privilege of the upper class, was no longer understood by ordinary people.

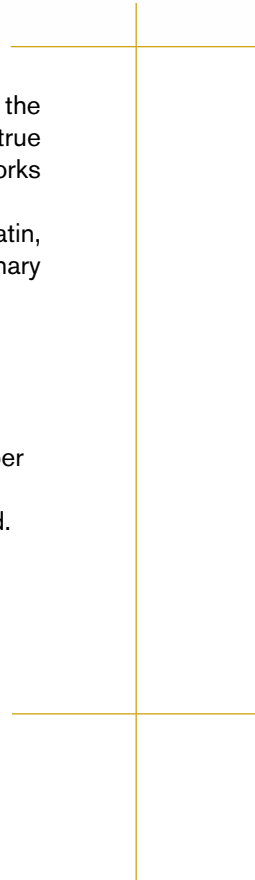
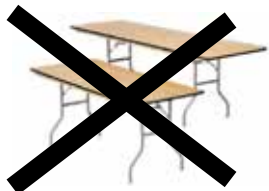
With the same revolutionary spirit, we introduce the:

“Dolce Stil Novo” MODULAR LINKING table system

which will make the storage, transportation and set up of banquet tables super easy, accessible and manageable for all. With such an advanced modularity, inventory morphs and adapts becoming what is needed, whenever is needed.

NO MORE inventories of bulky multiple sized & heavy to move tables.

With our system... **one size fits all...**





portable banquet tables

DSN tables by drake



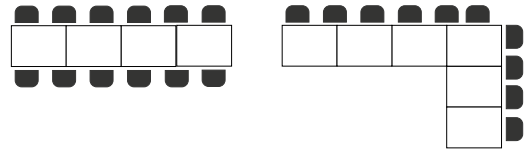
**Made
in
USA**

- extra strong
- extra light weight
- extra UV resistant
- highly scratch resistant
- easy handling
- easy maintenance



...very modular

tongue and groove style slides in and out of the table top & lets users add as many tables as needed to the banquet layout... while keeping the table tops level.



Our composite polymer table tops are available in white, gray, beige, redwood.

Applications:

CATERING - RENTAL - CONFERENCE & CONVENTION CENTERS

“Dolce Stil Novo” modular *linking* banquet table systems

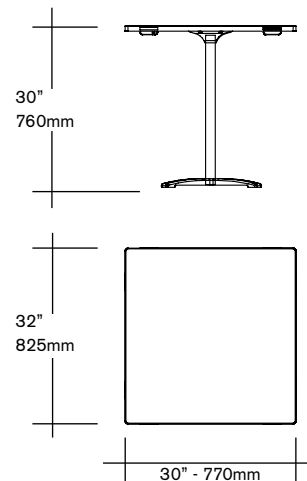
...life is sweet!



rental & catering style (spider aluminum base)

- a massive chrome steel column, 27 1/4" long, slides into the 28" steel table base.
- a strong, easy to maintain, 30"x32" composite resin table top snaps into the column.

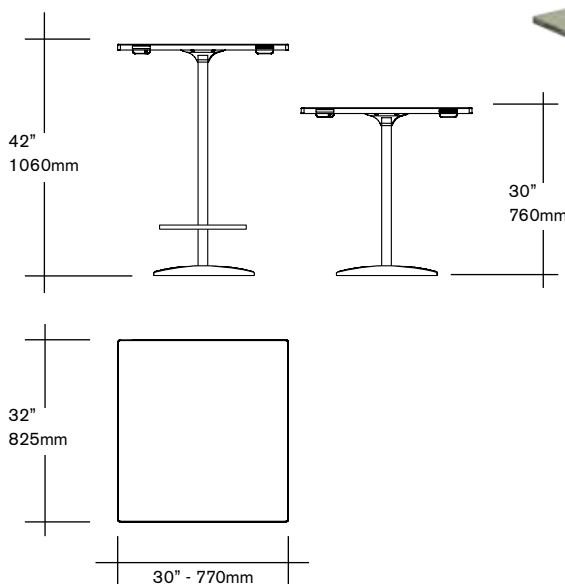
No tools required



trade shows, conventions & conference style (trumpet chrome base)

- a massive chrome steel column, 27 1/4" long (regular table) or 38 1/4" long (42"h bar table), slides into the 24" **trumpet style chrome** steel base.
- a strong, easy to maintain, **30"x32"** composite resin table top snaps into the column.

No tools required



portable tables

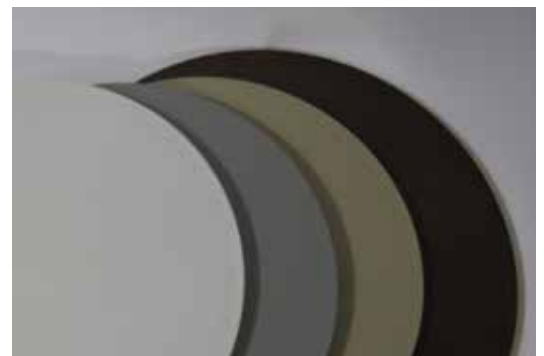
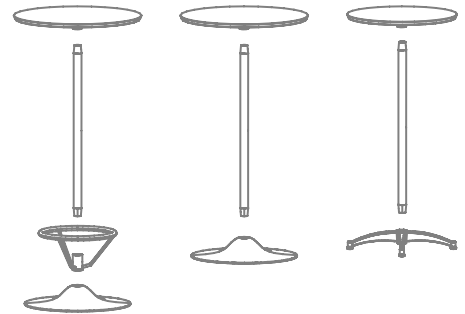
round tables

by drake



**Made
in
USA**

- extra strong
- extra light weight
- extra UV resistant
- highly scratch resistant
- easy handling
- easy maintenance



Our composite polymer table tops are available in white, gray, beige, redwood.

Applications:
CATERING - RENTAL - CONFERENCE & CONVENTION CENTERS

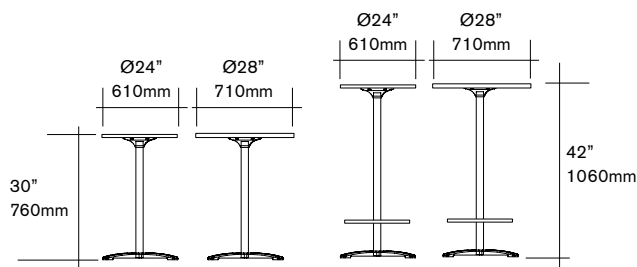
Heavy Duty Portable ROUND 24" & 28" tables & bar tables

rental & catering style (spider aluminum base)



- a massive chrome steel column, 27 1/4" long (regular table) or 38 1/4" long (42"h bar table), slides into the 24" OR 28" aluminum table base.
- a strong, easy to maintain, **24" Round or 28" Round** composite resin table top snaps into the column.

No tools required

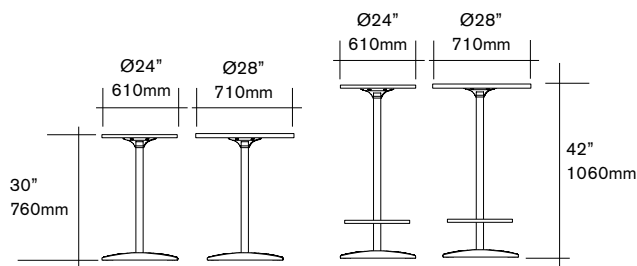


trade shows, conventions & conference style (trumpet chrome base)



- a massive chrome steel column, 27 1/4" long (regular table) or 38 1/4" long (42"h bar table), slides into the 20" OR 24" trumpet style chrome steel base.
- a strong, easy to maintain, **24" Round or 28" Round** composite resin table top snaps into the column.

No tools required



••• *footrest not included
but available as optional*



portable bar stool

DSN Elle by drake



Elle is built with the same components used in our portable modular banquet table system, providing a perfect matching stool that's readily available.

The composite multi-layer techno-polymer seat is available in 4 colors:

- W [White]
- G [Light Gray]
- R [Red]
- B [Black]



**Made
in
USA**

- extra strong
- extra UV resistant
- easy handling
- easy maintenance

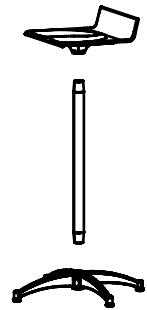
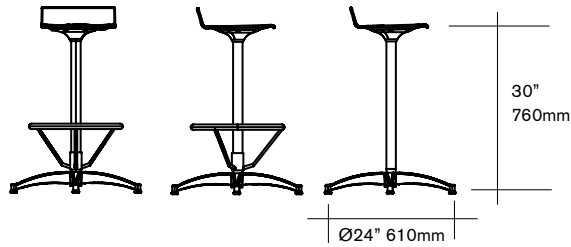
**Applications:
CATERING - RENTAL - CONFERENCE &
CONVENTION CENTERS**



Elle rental & catering style (spider aluminum base)

- a massive chrome steel column, 27 1/4" long slides into the 24" aluminum spider base (24" diagonal, 17" sideways)
- the composite Elle seat snaps into the column.

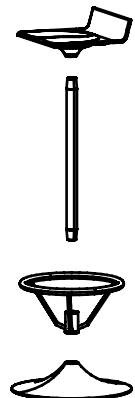
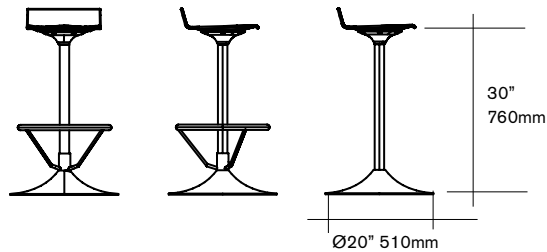
No tools required



trade shows, conventions & conference style (trumpet chrome base)

- a massive chrome steel column, 27 1/4" long slides into the Ø20" trumpet style chrome steel base.
- the composite Elle seat snaps into the column. resin table top snaps into the column.

No tools required



••• footrest not included
but available as optional



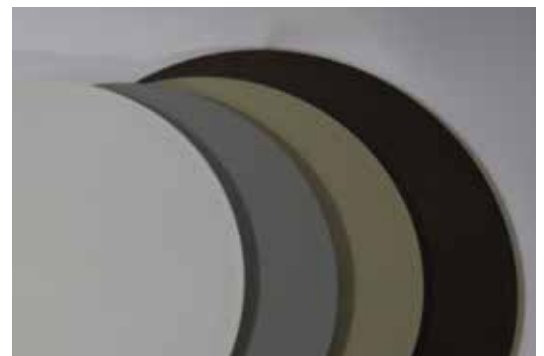
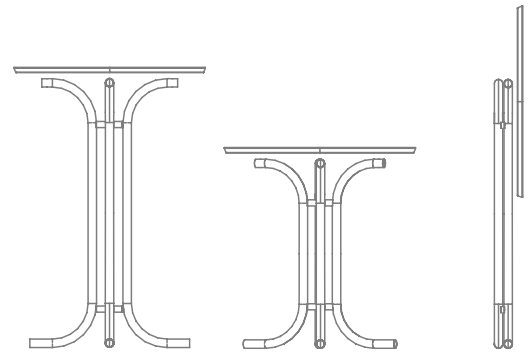
portable tables

MaNGia In-PiEdi by drake



**Made
in
USA**

- extra strong
- extra light weight
- extra UV resistant
- highly scratch resistant
- easy handling
- easy maintenance



Our composite polymer table tops are available in white, gray, beige, redwood.

Applications:
CATERING - RENTAL - CONFERENCE & CONVENTION CENTERS

“MaNGia-In-PiEdi” ROUND 24” & 28” folding tables & bar tables



MaNGia-In-PiEdi

“MaNGia-In-PiEdi” tables & cocktail-bar tables are super easy to set up and store.

- They fold flat to 5". Available in both 30" & 42" Heights.
- Powdercoated $\text{Ø}1\frac{1}{8}$ " tubular steel legs (1/16" thick) are equipped with rubber feet providing protection against scuffing.
- Long lasting PP plates connect the legs, as well as the legs and the top.
- A strong, easy to maintain, $\text{Ø}24$ " or $\text{Ø}28$ " round composite resin table top completes the assembly.
- No Loose parts, all one unit.

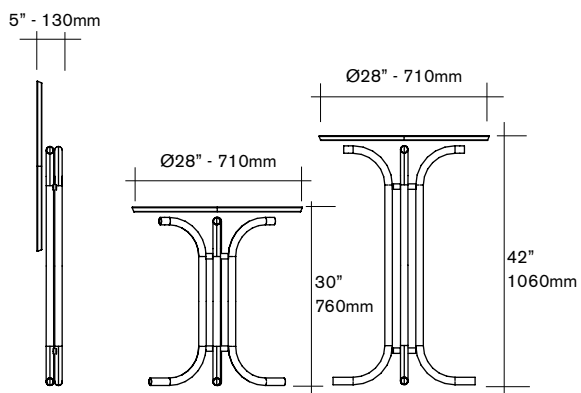
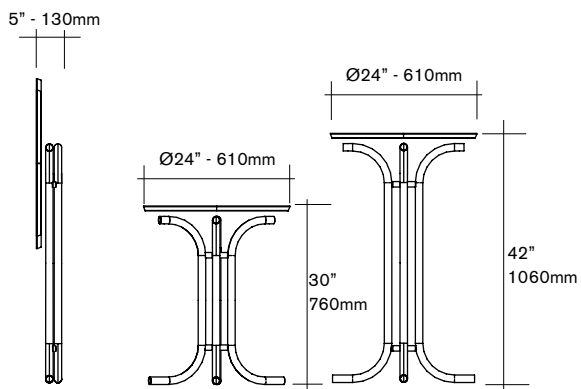


table storage

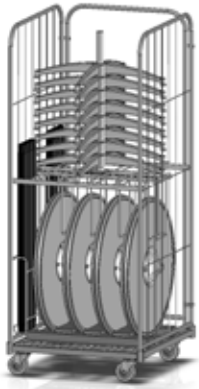
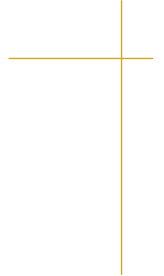
**table
carts**
by drake



**GOES
through
most
doors**

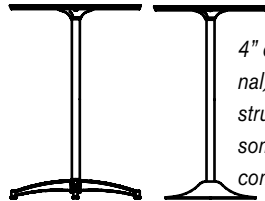


**Applications:
CATERING - RENTAL - CONFERENCE &
CONVENTION CENTERS**

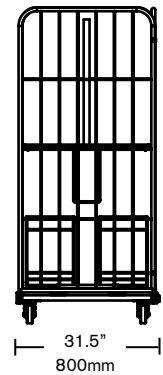
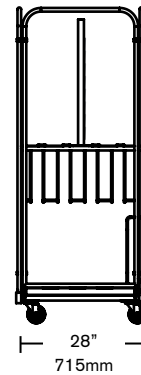


CART 8 Tables/Bar Tables

Super compact solution to store and transport up to 8 table tops (24"Ø, 28"Ø or 30"x32"), 8 columns (optional 16 to use tables both as standard tables or bar tables) and 8 table bases, both spider (rental) or conical (conference) style.

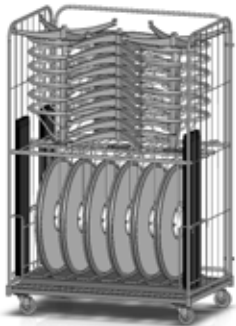


4" casters (5" optional), galvanized steel structure and hardware, some wood internal compartments.

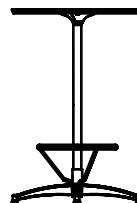


71"
1805mm

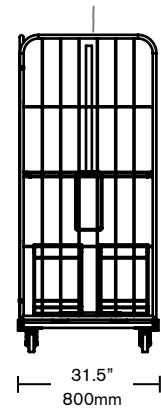
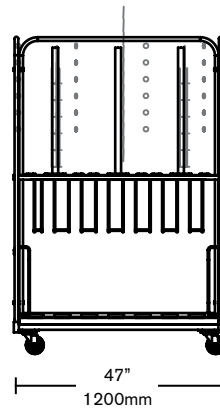
CART 12 Tables/Bar Tables with Footrest



Store and transport up to 12 table tops (24"Ø, 28"Ø or 30"x32"), 24 columns, 12 spider bases rental style and 12 slide-in footrests.



4" casters (5" optional), galvanized steel structure and hardware, some wood internal compartments.



71.5"
1820mm



DRAKE CORP.

110 Tices Lane, Unit# A7
East Brunswick, NJ 08816, USA
tel +1 732 254 1530
fax +1 732 254 3509
email contactUS@drakecorp.com



In Europa:

CENTRO ERRE SRL

Via Idiomi, 1/6
20090 Assago (MI) • Italy
Tel. +39 02 437 946
Fax +39 02 4570 3076
e-mail: info@centroerre.com

