

[www.drakecorp.com](http://www.drakecorp.com)

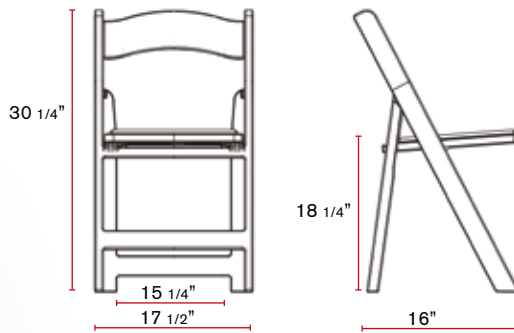
## Chip Economy Model

Chip-Economy is a special version of the all time popular standard Chip folding and stacking chair made with the idea to achieve a good level of savings while providing an outstanding product. Here's how we do it...

**MATERIAL:** made of a dual density techno polymer plus GAS system. The white color used is NOT an optically enhanced white as in the standard Chip model nor its UV resistance is as extreme as in our standard model, yet provides a superior product durability unmatched by competitors even as an economy version.



**PACKAGING:** substantial savings that we pass on to our big customers are made simplifying chair packaging. Instead of boxing small quantities, we use bulk packaging, simply stacking 25 chairs between 2 cardboard trays bottom and top, covering each stack with a plastic bag, strapping every stack and shrink wrapping all in Black UV resistant material.



Chair dimensions when folded:  
17 1/2" x 35" x 2 1/3" [inches]  
44 x 89 x 6 [cm]



## We're not just making chairs!

We set new standards for the industry  
... and keep walking you into the future

**Drake Corp.**  
154 Tices Lane  
East Brunswick, NJ 08816, USA  
tel +1 732 254 1530  
fax +1 732 254 3509  
email [contactUS@drakecorp.com](mailto:contactUS@drakecorp.com)

Make sure your next chair has our name on it!

