

[www.drakecorp.com](http://www.drakecorp.com)



## Chiavari stacking chairs

by **Drake**

- Italian Design
- Comfortable
- Strong and Durable
- Easy to clean,  
never needs painting
- Easily stackable
- Interlocking



**Recommended for  
contract and rental**

**The perfect look  
comes from  
perfect details**

In Europe:



tel +39 02 43 79 46  
email [info@centroerre.com](mailto:info@centroerre.com)

**Drake Corp.**

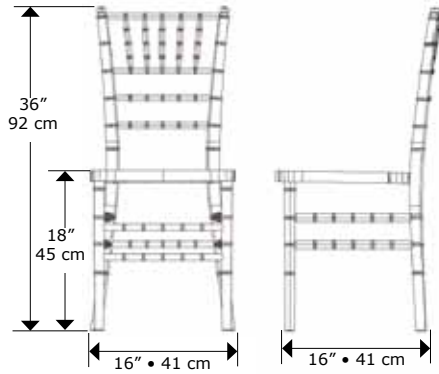
154 Tices Lane  
East Brunswick, NJ 08816, USA  
tel +1 732 254 1530  
fax +1 732 254 3509  
email [contactUS@drakecorp.com](mailto:contactUS@drakecorp.com)



# Chiavari stacking chair

The aesthetic respects the old traditional look but... deep inside our resin Chiavari stacking chairs have been re-engineered from the ground-up. The NEW MIX of techno-polymers the chairs are made of, makes them exceptionally strong, sturdy and a far better alternative to a plastic chair with a metallic insert, at a fraction of the weight. They feature easy handling and low cost maintenance, they are weatherproof, UV protected and never need painting.

The material used at Drake is a composite multi-layer techno-polymer which allows the manufacturing of the strongest and lightest at the same time Chiavari resin chairs on the market. An outer smooth all weather resistant aesthetic fiberglass added skin, and an inner expanded closed cell modified resin with high mechanical resistance that behaves like a bone and gives exceptional strength to the chair.



all data subject to change without any notice • printed in USA • 06.11

## Chiavari STACKING CHAIR

ITEM# 2CHVFG-	W	White
	B	Black
	BE	Light Brown
	G	Gold
	S	Silver

**Seat Dimensions:**  
16x16x18h [inches] or 41x41x45h [cm]

**Stack Dimensions:**  
7 chairs: 17x26x88h [inches] or 43x68x223 [cm]  
8 chairs: 17x27x96h [inches] or 43x69x245 [cm]  
10 chairs: 17x28x113h [inches] or 43x70x288 [cm]

PATENTED SAFER CHAIR  
STACKING AND INTERLOCKING



## SHIPPING

Our Chiavari chairs are shipped KD (knocked down) 2 chairs per box. Assembly is EASY, screws only, no glue required. Instructions are conveniently located on the box.

Box Weight: [21 lb.] [9kg]  
Box Dim.: 17x37x6 [inches] or 93.5x42x15.5 [cm]



## ACCESSORIES

### CUSHIONS

**2" cushion with velcro straps**  
Washable polyester cover 2" urethane foam with fiber batting. White, Natural or Black.



**1 1/2" rigid cushion**  
Vinyl leather cover with urethane foam on a PP rigid base. White or Black.

### Chiavari IN THE OUTDOORS (resorts, parks, beaches, etc...)

A set of our patented lawn shoes (optional) is ideal to enjoy our Chiavari chair outdoors, preventing them from sinking into lawns or sand. Furthermore, the lawn shoes do not interfere with the chair ability to stack the chair. One set includes 4 shoes for one chair.

